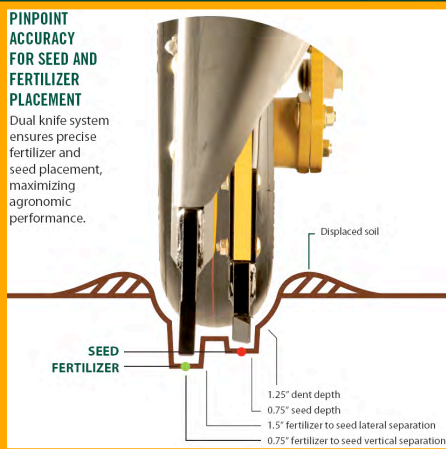


“From the ground up” Approach

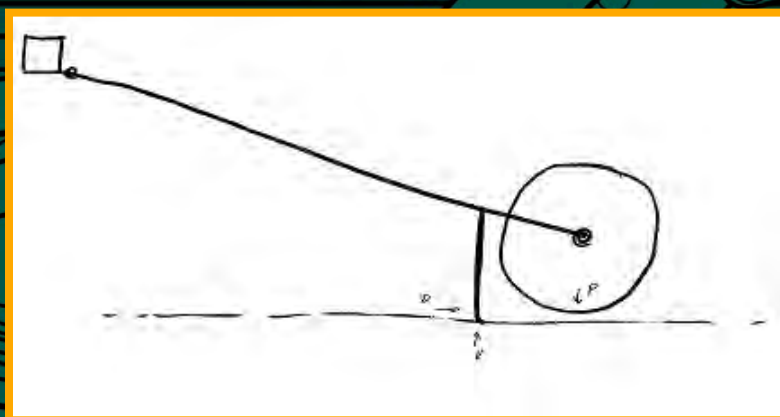


- Seed Depth
- Fertilizer separation
- Packing
- Black strip
- Firm bed
- Dent
- Move dry soil
- Stubble protection
- Weed competition



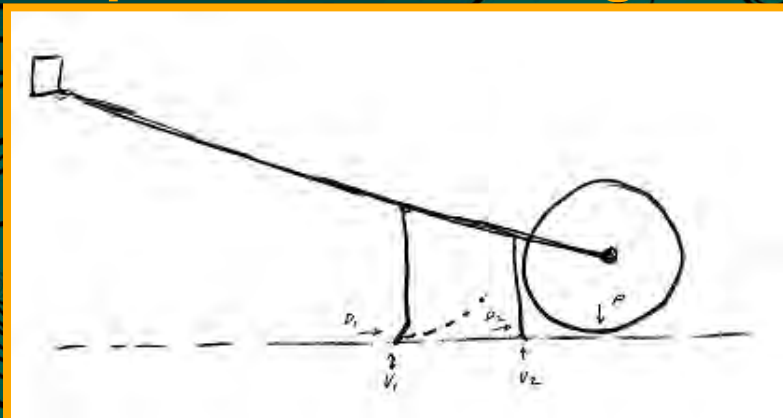
MAR
24
2009

Importance of Depth Control (Razor Concept)



MAR
24
2009

Predictability of Two-Knife Openers on a Long Arm



MAR
24
2009

State of the Art



MAR
24
2009

Smart Hitch™

- Better seed bed
- More uniform crop
- Better weed comp
- Good in tall stubble
- Blacker strip
- Fewer weather restrictions
- Protected Micro Climate



MAR
24
2009

Tall Stubble



- 12" stubble
 - Common stubble height on 12" rows
- 18+" stubble
 - Improves snow catch
 - Improves micro-climate

18" stubble height pictured here



MAR
24
2009

Smart Link

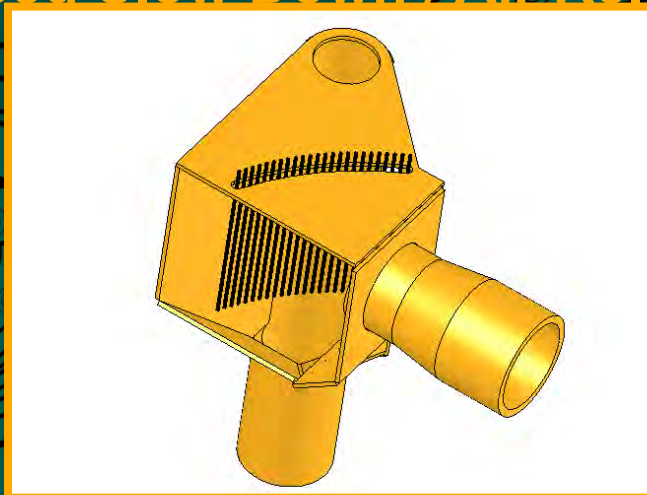


- Links the Smart Hitch to your Auto Steer
- Fine-tunes the tractor's path
 - Moves the satellite receiver to centre the tractor on a preferred stubble row.



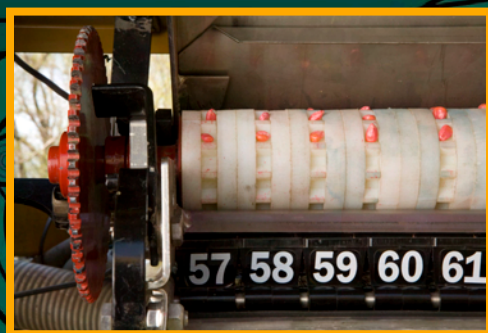
MAR
24
2009

Seed Slow Down / Air Release



MAR
24
2009

Seed Metering Developments



- Developing increasingly precise metering
- Interested in improving on metering for corn
- Attempting to achieve seed singulation

2008 Prototype pictured here



MAR
24
2009

IHARF Research Machine



- Able to change from 10, 12, 14, and 16-inch row spacing
- Used only in small plot research to examine the effects of varied row spacing on crop yield and development.



MAR
24
2009

Test Plot - Corn



MAR
24
2009



MAR
24
2009